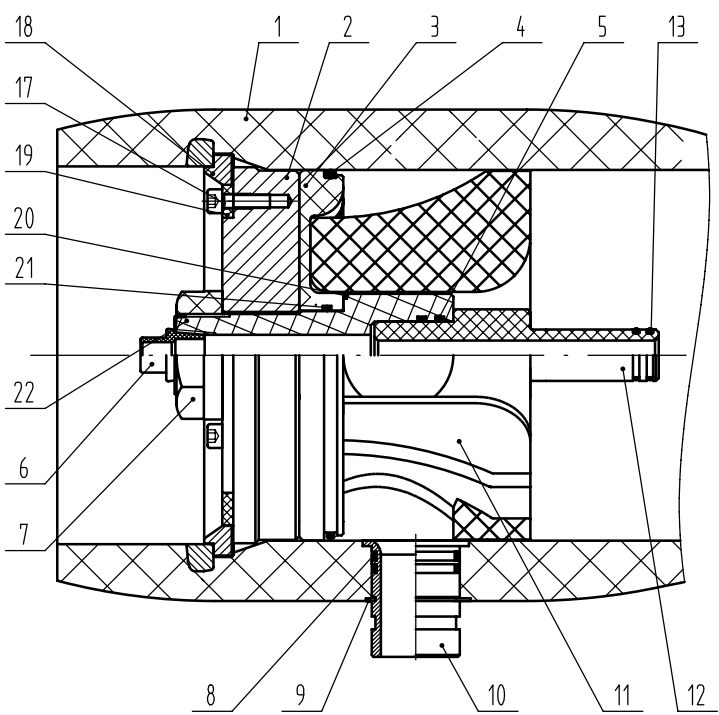


F/C.Port	D(MM/IN)	H(MM/IN)
1.5"(DN40)	274/10.7	161/6.3
2"(DN50)	278/10.9	164/6.4
2.5"(DN65)	284/11.1	166/6.5

23	A8023.1	Shim	0-3	Engineering Thermoplastic	
22	A8022.3	Permeate Part	2	Engineering Thermoplastic.316LSS Ring	
21	47.5x3.55G GB/T3452.1	O-ring	2	EPDM	
20	58x2.65G GB/T3452.1	O-ring	2	EPDM	
19	A8020	Securing Ring	2	Engineering Thermoplastic	
18	A8018.2	Locking Kit Segment	2 Set	316SS	
17	GB/T70.1 M8x20	Locking Segment Screw	6	316SS	
16	A8016	Saddle	2-3	Rubber	
15	GB/T5782 M8x90	Strap Screw	4-6	316SS	
14	A8014.3	Strap	2-3	316SS-Brass and Rubber	
13	23.6x2.65G GB/T3452.1	O-ring	4	EPDM	
12	A8012.3	Adapter	2	Engineering Thermoplastic	
11	A8011.3	Thrust Ring	1	Engineering Thermoplastic	
10	S80100F(DZ) S80100E(DZ) S80100D(DZ)	2.5"Feed/Conc. Port 2"Feed/Conc. Port 1.5"Feed/Conc. Port	2-4	Super Duplex Stainless Steel	OPT
09	A8009.1-3	Retaining Ring	2-4	316SS	
08	69165x3.55G GB/T3452.1 53x3.55G GB/T3452.1 412x3.55G GB/T3452.1	O-ring	4-8	EPDM	
07	A8007	Permeate Part Locknut	2	Engineering Thermoplastic	
06	A8006	Plug	1	Engineering Thermoplastic	
05	36.5x3.55G GB/T3452.1	O-ring	4	EPDM	
04	190x5.3G GB/T3452.1	O-ring	2	EPDM	
03	A8003.3	Parted Sealing Plate	2	Engineering Thermoplastic	
02	A8002.7	Bearing Plate	2	Aluminium Alloy-Hard Anodized	
01	S8005.1-8	Pressure Shell	1	FRP-316SS Embedded ring wound in place	
Ref.	Part Number	Description	Qty.	Material	Note



- DESIGN PRESSURE 1000PSI(6.9MPa).
- DESIGN TEMPERATURE 150°F(66°C).
- MIN ALLOWABLE TEMPERATURE 20°F(-7°C).
- WORKING MEDIUM,SEA WATER OR BRACKISHWATER,pH RANGE 3-11.
- DIMENSIONS IN MM(INCHES APPROX).
- INTERNAL PERMEATE PRESSURE NOT TO EXCEED 125PSI(0.88MPa).
- THE QUANTITY OF ITEM NO.8 9 AND 10,DEPEND ON THE FEED/CONC. PORTS CONFIGURATION.
- ITEM 11 CONCENTRATE SIDE ONLY.
- ITEM 23 FEED SIDE ONLY.
- PLEASE OPERATE IN ACCORDANCE WITH USER MANUAL.
- FOR REFERENCE ONLY,NOT FOR CONSTRUCTION UNLESS CERTIFIED.
- SPARE PARTS FORM JUST FOR REFERENCE,SPECIFIC FORM OF THE SPARE PART DRAWING PREVAIL,SUBJECT TO CHANGE WITHOUT NOTICE.
- ALL PARTS CAN BE RECYCLED EXCEPT FRP SHELL.

Shell length code	Shell number	L L.O.A MM/IN	P Port to port MM/IN	S Span MM/IN	Approx assembly weight (1.5"Feed/Conc. Port) KG/LB
1	S8005.1	1534/60.4	1143/45	340/13.4	61/135
2	S8005.2	2550/100.4	2159/85	1356/53.4	78/172
3	S8005.3	3566/140.4	3175/125	2064/81.3	95/210
4	S8005.4	4582/180.4	4191/165	1600/63x2	112/247
5	S8005.5	5598/220.4	5207/205	2000/78.7x2	129/285
6	S8005.6	6614/260.4	6223/245	2358/92.8x2	146/322
7	S8005.7	7630/300.4	7239/285	2865/112.8x2	163/360
8	S8005.8	8646/340.4	8255/325	3373/132.8x2	180/397

**ROPV**

DESIGN	<b>Harbin ROPV Industry Development Center</b>	
REVIEW	MODEL R8040B1000S PRESSURE VESSEL	
APPROVAL	DRG R8040B1000S-00	REV 10.2.3